

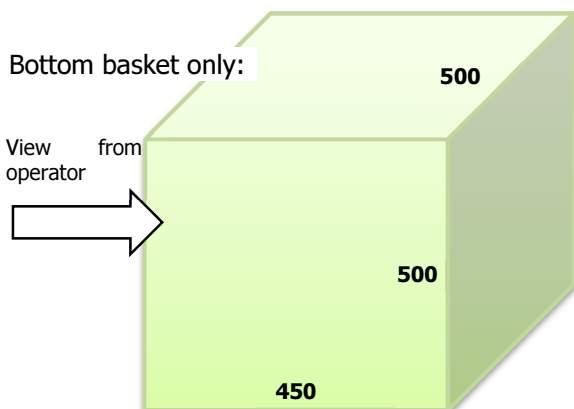
COMPACLEAN

HIGH PRESSURE SPRAY-IN-AIR CLEANING SYSTEM

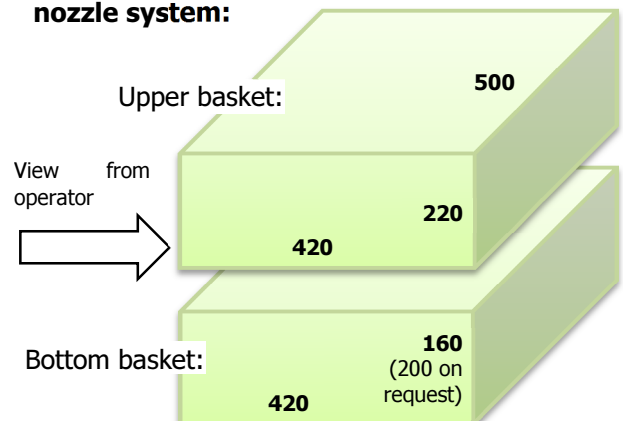


Usable dimension of chamber:

Standard usable space for board (other on request). With bottom basket only:



Standard usable space for boards (other on request). With upper basket and centric nozzle system:



Technical data

- Standard usable space for cleaned material (WxLxH) 450 x 500 x 500 mm (with bottom basket only)
- Standard usable space for cleaned material (WxLxH) 420 x 500 x 160 (200 on request) mm and 420 x 500 x 220 mm (with upper basket and centric nozzle system)
- Particular position and space depends on given clamping
- Please consult specific requirements with manufacturer representative.
- Customized modification available on request.

Process data

(Use, capacity and consumption of machine)

| | |
|---|-----------------------|
| Typical consumption of cleaning agent w/o load (per one cycle) | 0.15 liter |
| PCB defluxing and Misprints - max usable area at the disposal | 2.55 m ² |
| Standard max. components height from front side + rear side | 40 mm (other on req.) |
| Max load in 3U-160 eurocards (100x160mm) per one cycle | 80 - 140 pcs |
| PCBA + Misprints 3U-160 eurocards (100x160mm) typical total cycle time | 60 - 80 min |
| PCBA + Misprints 3U-160 eurocards (100x160mm) quantity per hour | Up to 140 pcs |
| PCBA + Misprints typical consumption / cycle (depends on PCB shape and pollution) | 0.3 – 0.4 liter |
| Solder pallets - available space (necessary to specify clamping) | 450 x 500 x 500 mm |
| Solder pallets quantity per hour | 4 – 6 pcs |
| Typical total cycle time for solder pallets | 45 – 60 min |

Typical consumption are based on values from the field, however cannot be guaranteed because of other factor influence

Technical parameters

| | |
|--|---|
| Machine dimensions (WxLxH) | 880 × 1680 × 1866 mm |
| Weight (without liquid) | 380 - 485 kg |
| Machine noisiness (at the operator position) | L _A (eqv) < 70 dB, L _C (peak) = 72 dB |
| Power supply voltage | 3x 230 V/ 400 V, 50 Hz |
| Power input | 14-21 kVA |

Adjustable parameters

All the parameters are adjusted by means of the LCD touch screen.

| | |
|--|-------------|
| Washing time (all types) | 0-99 min. |
| Washing medium temperature (optional) | Up to 60°C |
| Rinsing time (all types) | 0-99 min. |
| Rinsing temperature (optional) | Up to 40°C |
| Conductivity (II, IIR, IIR+,III) | 0-999 μS/cm |
| Drying time (all types) | 0-99 min. |
| Drying temperature (all types) | Up to 110°C |
| Number of program registers (settings) | 99 |

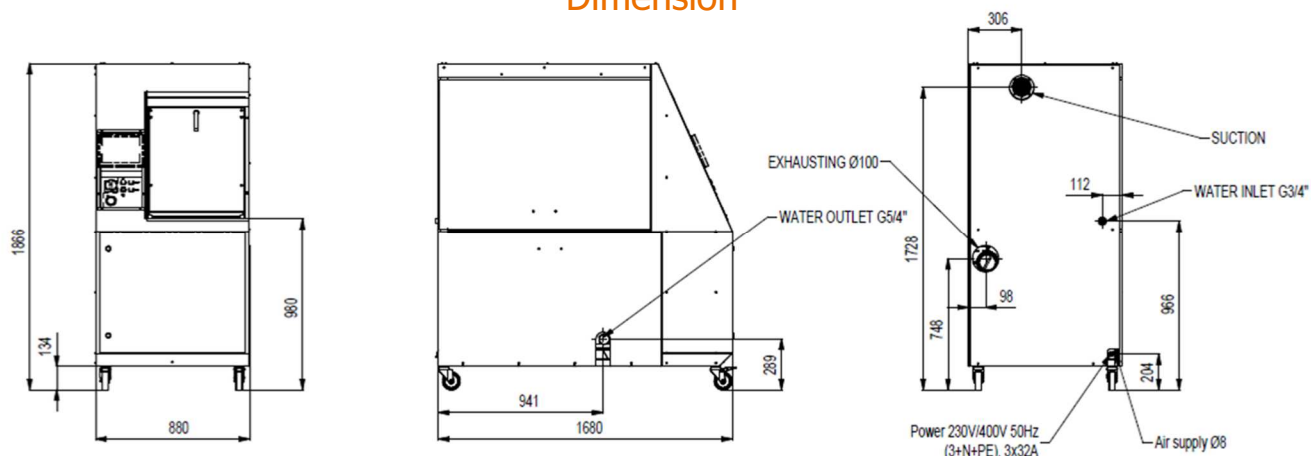
Note: All the adjusted parameters are not changed when the power supply is switched on or off.

Technological parameters

| Standard - S | Not possible - N | IR+ | III | II ECO | |
|---|------------------|---------|---------|---------|-------|
| Power input (according to configuration) | | 15-20 | 16-21 | 16 | kVA |
| Washing - pressure on the nozzles max/min (sprayed from all 69 nozzles) | | 2,1/1,5 | 2,1/1,5 | 2,1/1,5 | bar |
| Washing – max. flow (sprayed from all 69 nozzles) | | 135 | 135 | 135 | l/min |
| Washing - pressure on the nozzles max/min (sprayed from 33 upper nozzles) | | 3,6/3,1 | 3,6/3,1 | 3,6/3,1 | bar |
| Washing - max. flow (sprayed from 33 upper nozzles) | | 85 | 85 | 85 | l/min |
| Tap water rinsing - pressure on the nozzles max/min (sprayed from 33 upper nozzles) | | 1,2/0,7 | 1,2/0,7 | | bar |
| Tap water rinsing - max. flow (sprayed from 33 upper nozzles) | | 50 | 50 | | l/min |
| DI rinsing - pressure on the nozzles max/min (sprayed from all 69 nozzles) | | | 0,2/0 | | bar |
| DI rinsing – max. flow (sprayed from all 69 nozzles) | | | 48 | | l/min |
| DI rinsing - pressure on the nozzles max/min (sprayed from 33 upper nozzles) | | | 1,2/0,7 | | bar |
| DI rinsing - max. flow (sprayed from 33 upper nozzles) | | | 50 | | l/min |
| DI rinsing - pressure on the nozzles max/min (sprayed from 36 lower nozzles) | | | - | 2/1,5 | bar |
| DI rinsing - max. flow (sprayed from 36 lower nozzles) | | | - | 68 | l/min |
| Washing decanter volume max/min | | 71/35 | 71/35 | 71/35 | l |
| Rinsing decanter volume max/min | | 60/35 | 35/18 | 35/18 | l |

Note: Approximate values of pressure and flow are stated. The real values can be a bit different depending on the tolerances of used components. These differences have no effect on cleaning

Dimension



Required service and maintenance area

From the front side of the machine minimally 0,8 m - Area for machine operation and accessing area into the switchbox (this space has to meet the directive IEC 60364-1:2005).

From the left side min. 0,8 m - Area for machine service and maintenance.

From the right side min. 0,1 m

The machine rear part min. 0,2 m - Central exhaust system connection

The height of the machine = **1,87 m**

The height of machine with signal tower for indication of machine status (optional) = 2,22 m.

The width of machine with pump unit of drain water (optional) = 1,13 m.

